



Innovations In Grease Containment

sales@omnicontainmentment.com

877-2-CONTAIN
(877-226-6824)

1501 Commerce Drive, Elgin IL 60123

www.omnicontainmentment.com



GREASE GUTTER

ROOFTOP GREASE PROTECTION SYSTEMS

US PAT 06468323, US PAT 6676723 B2

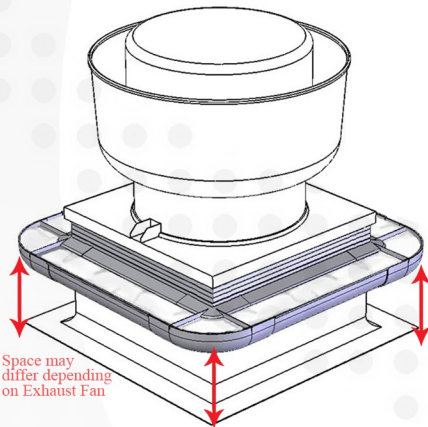
Begin Defending Your Rooftop From Grease With

Off The Roof®
Protection

Stop Using Old Technology That Hides Grease Under Layers of Filters That Sit On Your Roof

Until Grease Gutter, rooftop grease control products were too difficult to service and proper maintenance was discouraged. Grease Gutter is your **SIMPLE SOLUTION!**

Use **The High Capacity Grease Gutter 360°** duct design for use in high grease discharge applications. And **The Grease Gutter Sidekick** Single sided design for applications where the other Grease Gutter units won't fit.



Space may differ depending on Exhaust Fan



- Easy to replace one piece replacement absorbant* ◦ Mounts up *Off The Roof*® to avoid hidden contact damage ◦
- Compact design doesn't interfere with service providers. ◦ Economical to purchase and maintain ◦
- Constructed with UL approved materials ◦
- Made in the USA with UL Approved Materials ◦



Easy to work with Grease Gutter Absorbant. 100% grease saturation, so no wasted material. UV Resistant and 100% Biodegradable.



Try Our Other Great Grease Containment Products,

