

**Quick Print-n-Fit Kit**

**Reduced Fan  
 Base Style**

Duct Width (A) \_\_\_\_\_

Fan Base (B) \_\_\_\_\_

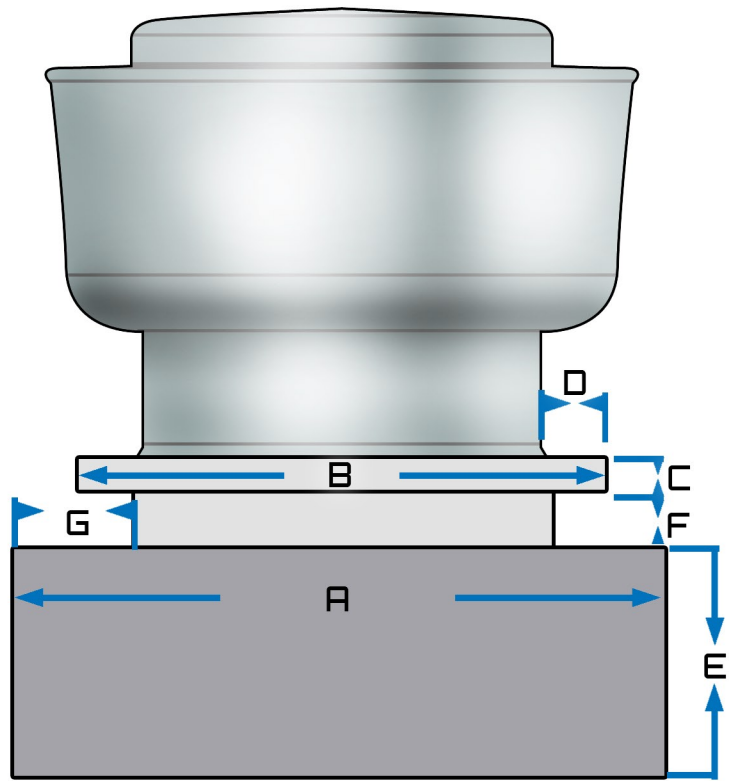
Fan Base Height (C) \_\_\_\_\_

Edge of Fan Base  
 to Fan Housing (D) \_\_\_\_\_

Height of Duct (E) \_\_\_\_\_

Lip Height (F) \_\_\_\_\_

Lip Width (G) \_\_\_\_\_



Please complete form and email or fax with your order to ensure an accurate quote and product delivery

Customer Name \_\_\_\_\_

Location Address \_\_\_\_\_

Phone Number \_\_\_\_\_

Email Address \_\_\_\_\_

**F: 847-931-3654 • sales@omnicontainment.com**

1501 Commerce Drive, Elgin IL 60123

Try Our Other Great Grease Containment Products,

