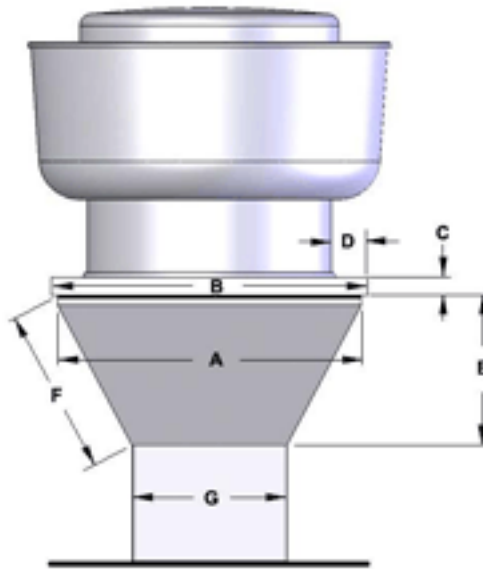


Super Hinge Quick Print-n-Fit Kit

Use our quick Print-n-Fit Kit to ensure Omni Super Hinge fits your fan assembly the first time.

Tapered Duct Style



Duct Width - Upper Dimension (A)	_____	_____
Fan Base (B)	_____	_____
Fan Base Height (C)	_____	_____
Edge of Fan Base to Fan Housing (D)	_____	_____
Height of Duct (E)	_____	_____
Duct Width - Lower Dimension (F)	_____	_____

Please complete form and email or fax with your order to ensure an accurate quote and product delivery.

Phone: 847-639-7850

Fax: 847-639-7811

Email: sales@omnicontainment.com

Mailing Address: 760 Unit G Industrial Drive, Cary, IL 60013