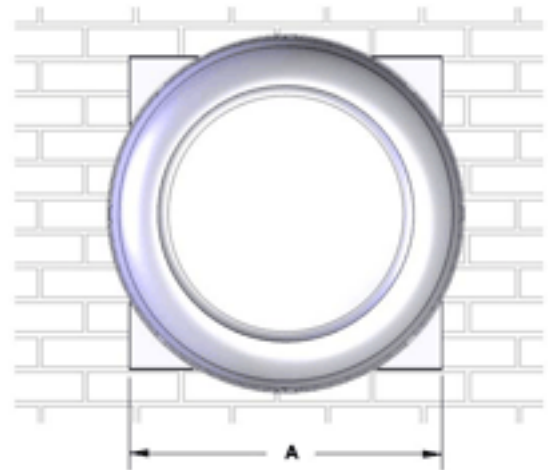
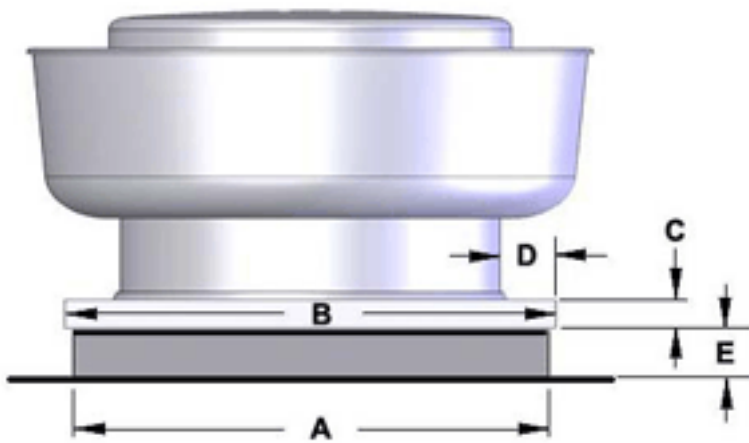


## Super Hinge Quick Print-n-Fit Kit

Use our quick Print-n-Fit Kit to ensure Omni Super Hinge fits your fan assembly the first time.

# Side Wall Fan Style



Duct Width ( A )

Fan Base ( B )

Fan Base Height ( C )

Edge of Fan Base to Fan Housing ( D )

Height of Duct ( E )

*Please complete form and email or fax with your order to ensure an accurate quote and product delivery.*

**Phone: 847-639-7850**

**Fax: 847-639-7811**

**Email: [sales@omnicontainment.com](mailto:sales@omnicontainment.com)**

**Mailing Address: 760 Unit G Industrial Drive, Cary, IL 60013**