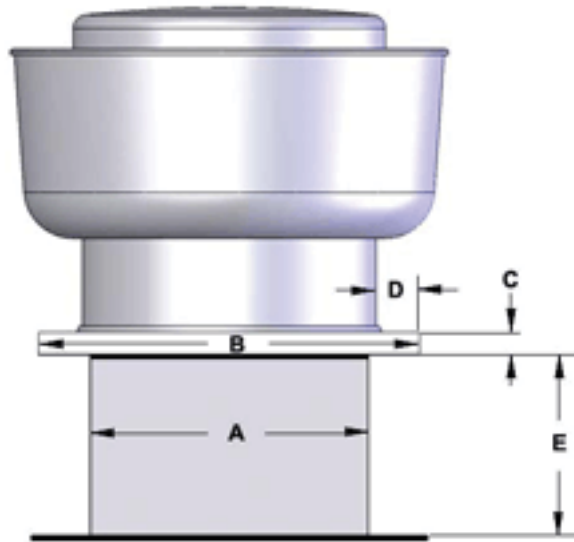


Super Hinge Quick Print-n-Fit Kit

Use our quick Print-n-Fit Kit to ensure Omni Super Hinge fits your fan assembly the first time.

Mismatched Curb Style



Duct Width (A) _____

Fan Base (B) _____

Fan Base Height (C) _____

Edge of Fan Base to Fan Housing (D) _____

Height of Duct (E) _____

Please complete form and email or fax with your order to ensure an accurate quote and product delivery.

Phone: 847-639-7850

Fax: 847-639-7811

Email: sales@omnicontainment.com

Mailing Address: 760 Unit G Industrial Drive, Cary, IL 60013